

**Tecra A5<sup>1</sup>**

Model Name	Description	Part Number	UPC Code
Tecra A5-S416	Microsoft® Windows® XP Professional, Intel® Pentium® M 730 (1.6GHz, 2MB L2 Cache, 533MHz FSB), 512MB PC2700 DDR 333MHz SDRAM, 40GB(5400rpm), CD-RW/DVD-ROM, 14" TFT LCD at (1280 x 768) native resolution (WXGA), Intel Graphics Media Accelerator 900, 10/100 Ethernet, Intel 802.11b/g, 6-cell battery, 1394, 5-in-1 memory card slot, 1-year standard limited warranty.	PTA50U-01Q00J	032017358249

**System Characteristics<sup>2</sup>**

**Operating System<sup>3</sup>**

- Microsoft® Windows® XP Professional

**Intel® Centrino™ Mobile Technology featuring:**

**Processor<sup>4</sup>**

- Intel Pentium® M Processor 730 [1.6GHz, 2MB L2 Cache, 533MHz FSB]

**Chipset**

- Mobile Intel 915GM Express Chipset

**Integrated Wi-Fi™ compliant wireless LAN**

- Intel® PRO/Wireless 2200BG (802.11b/g)

**Memory<sup>5</sup>**

- Configured with 512MB DDR SDRAM
- 512MB (Min)/2048MB (Max), 512MB memory module is installed in one slot under keyboard, service removable. 1 available memory slot can be end user accessed via removable door on bottom of system chassis. Supports 256MB, 512MB, or 1024MB PC2700 DDR 333MHz SDRAM 2.5V SODIMM memory modules, (both memory slots may be occupied)

**Mass Storage**

**Hard Drive<sup>6</sup>**

- 40GB (5400 RPM) Enhanced IDE (ATA-6) hard disk drive; 9.5mm height

**Optical Disk Drive**

- Fixed Bay CD-RW/DVD-ROM drive:  
Maximum Speed:  
CD-ROM (24x:read), CD-R (24x:write), CD-RW (24x:write), DVD-ROM (8x:read)

**Display<sup>7</sup>**

- 14.0" diagonal widescreen TFT High Brightness active-matrix LCD display at 1280x768 native resolution (WXGA)
- Brightness Control by Fn+F6/F7 and TOSHIBA Power Saver

**Graphics<sup>8</sup>**

- Intel Graphics Media Accelerator 900; 8MB-128MB of graphics memory is taken from the main memory via UMA (Unified Memory Architecture)

**Sound**

- Realtek ALC250 integrated software sound, AC97 compatible
- 16-bit stereo; with built-in stereo speakers,
- Built-in microphone
- 3D Sound Support, Direct 3D Sound; DirectSound, Direct Music, MIDI (playback) Support
- Sound Volume Control Dial

**Input Devices**

- Keyboard
  - 85 key US keyboard
  - Toshiba FN Shortcut Keys; please see electronic User's Guide for more information
  - Windows Key Function
  - Application Key Function
- Pointing Device:
  - TouchPad™ pointing device
  - TouchPad™ Enable/Disable (FN+F9 or by help of software)
- Others:
  - Buttons (Toshiba Assist, Presentation)

**Expandability**

- 2 main memory slots. Both slots may be occupied.
  - One slot under keyboard, service removable
  - One slot available, end user accessible
- 1 PC Card slot support 1 Type II, PCMCIA R2.01, PC Card16, CardBus
- Bridge Media Adapter (Secure Digital®, Memory Stick™, Memory Stick PRO™, Multi Media Card, xD Picture Card [shared slots])
- Docking port for Advanced Port Replicator III (see accessories)

**Communications**

- Integrated V.92 modem<sup>9</sup>
- Marvell 88E8036 - 10/100 Base-TX Ethernet
- Intel® Pro/Wireless 2200BG (802.11b/g) Integrated Wi-Fi™ compliant wireless LAN

**Ports**

- RGB (monitor) port
- TV-out (S-Video)
- i.LINK(tm) IEEE-1394
- 4 Universal Serial Bus (USB) ports (v2.0)
- External Microphone jack
- Headphone jack
- RJ-45 LAN port
- RJ-11 modem port
- 240-pin docking connector

**Physical Description**

- Dimensions (WxDxH Front/H Rear): 13.5" (343mm) x 9.5" (242mm) x 1.2" (29.8mm)[F]/1.5" (38.0)[R] without feet
- Weight<sup>10</sup>: 4.99 ~ 5.31 lbs (2.262 ~ 2.407 kg) depending upon configuration
- Indicators: Power, DC-IN, Primary HDD Access, CD/DVD-ROM Access, CapsLock, Arrow Mode, Numeric Mode, Battery Charging Status, System Sleep/Suspend Status, Wireless Communication, Bridge Media Reader
- Items protected by a screw: Memory, Hard Disk Drive
- Case material: Polycarbonate ABS

**Power Supply**

- 75W (15V 5A) Auto sensing external AC Adapter, 100-240V / 50-60Hz frequency (Universal) input.
- Weight: starting at 0.88 lbs (0.40 kg.)
- Dimensions (WxDxH): 5.4" (136.0mm) x 1.2" (30.0mm) x 2.1" (53.0mm)

**Battery<sup>11</sup>**

- 6-cell (4300mAh) rechargeable, removable Lithium Ion (Li-Ion) battery pack
- Weight: starting at 0.75 lbs. (0.34 kg.)
- Dimensions (WxDxH): 8.2" (207.0mm) x 2.1" (54.0mm) x 0.9" (23.0mm)
- Battery Life: Up to 3 hours 31 minutes (measured by MobileMark™) (6-cell battery)<sup>12</sup>
- Recharge Time
  - Main Battery Off/On – approximately 3.0 hrs/approximately 4.0 to 12.0 hrs

**Toshiba EasyGuard™**

**Connect**

- Toshiba ConfigFree™

# TOSHIBA

## Optimize

- Toshiba Power Saver utility
- Toshiba FN Shortcut Keys(see User's Manual for description)
- Toshiba Zooming Utility
- Presentation Button
- One-touch Resolution Change

## BIOS

- ACPI v1.0b, PNP v1.0a, VESA v3.0, DPMS v2.0, DDC v2.0, SM BIOS v2.34, PCI BIOS v2.2 support

## Software<sup>13</sup>

### Toshiba Software and Utilities

- Toshiba ConfigFree™
- Toshiba PC Diagnostic Tool
- Toshiba Custom Utilities
- Electronic User's Guide
- Toshiba Touch and Launch

### Third-party Software

- Microsoft® Works™
- Microsoft® Office OneNote™
- Software Decoder: InterVideo® (WinDVD™ 5)
- Sonic® Solutions Drive Letter Access (DLA)
- Sonic® Solutions RecordNow! Basic
- eTrust™ EZ Firewall (30 Day Trial)
- McAfee® VirusScan (30 Day Trial)
- AOL® Internet Service<sup>14</sup> (3 Month Offer)
- AT&T® Worldnet® Service<sup>15</sup> (1 Month Offer)

## Environmental Specifications

	Operating	Non-Operating
<b>Temperature</b> <sup>16</sup>	5° to 35° C (41° to 95°F)	-20° to 65°C (-4° to 149°F)
<b>Thermal Gradient</b>	15°C per hour maximum	20°C per hour maximum
<b>Relative Humidity</b>	20% to 80%	10% to 95%
<b>Altitude (relative to sea level)</b>	-60 to 3000 meters	-60 to 10,000 meters
<b>Shock</b>	10G	60G
<b>Vibration</b>	0.5G	1.0G

## Limited Warranty<sup>17</sup>

- Standard 1-year standard limited warranty

## Standard Limited Warranty Upgrades and Extensions

Toshiba offers many different standard limited warranty extensions and enhanced service plans such as SystemGuard®, At-Home Repair, and Service Express to provide additional support to your notebook PC. For a full description and complete list of programs and program terms and conditions, please visit [www.pcsupport.toshiba.com](http://www.pcsupport.toshiba.com)

### Recommended Services

#### Limited Warranty Extensions

Extends the standard limited warranty for up to 3 years from the original notebook purchase date. See Toshiba Service Plan Agreement for program terms and conditions at [www.pcsupport.toshiba.com](http://www.pcsupport.toshiba.com).

Part Number	Description
SWC-PEQQ2V	2 <sup>nd</sup> Year Limited Warranty Extension
SWP-PEQQ3V	2 <sup>nd</sup> /3 <sup>rd</sup> Year Limited Warranty Extension

#### SystemGuard<sup>18</sup> Advanced Protection Coverage w/ ServiceExpress

Provides advanced protection from damage caused by accidental drops, spills and even screen breakage. Select your express repair service with either Depot Express or Carry-In Express and go to the front of the line. Limited Warranty Extension included except with 1 Year plan.

Part Number	Description
SWC-PSGQ1V	1 <sup>st</sup> Year
SWC-PEGQ2V	1 <sup>st</sup> /2 <sup>nd</sup> Year + Limited Warranty Extension
SWP-PEGQ3V	1 <sup>st</sup> /2 <sup>nd</sup> /3 <sup>rd</sup> Year + Limited Warranty Extension

## Subject to Change

While Toshiba has made every effort at the time of publication to ensure the accuracy of the information provided herein, product specifications, configurations, prices, system/component/options availability are all subject to change without notice. For the most up-to-date product information about your computer, or to stay current with the various computer software or hardware options, visit Toshiba's Web site at <http://www.pcsupport.toshiba.com>.

## SystemGuard Advanced Protection Coverage + Business On-Site Repair

Combines SystemGuard and Business On-Site Repair coverage. Limited Warranty Extension included except with 1 Year plan. <sup>1</sup>SystemGuard coverage must be purchased within the first 30 days of purchase. See Toshiba Service Plan Agreement for program terms and conditions at [www.pcsupport.toshiba.com](http://www.pcsupport.toshiba.com).

Part Number	Description
SWC-PSGN1V	1 <sup>st</sup> Year
SWC-PEGN2V	1 <sup>st</sup> /2 <sup>nd</sup> Year + Limited Warranty Extension
SWP-PEGN3V	1 <sup>st</sup> /2 <sup>nd</sup> /3 <sup>rd</sup> Year + Limited Warranty Extension

### ServiceExpress

Select your express repair service with either Depot Express or Carry-In Express. Depot Express: Toshiba will make reasonable efforts to complete repair of your notebook and return the notebook to you by the next business day via overnight shipment (excluding weekends and holidays). Instructions and box will be provided to you for packing and shipping the notebook to Toshiba. Carry-In Express: A Premier ASP will make reasonable efforts to complete repair of your notebook by the next business day (excluding weekends and holidays). Limited Warranty Extension included except with 1 Year plan. See Toshiba Service Plan Agreement for program terms and conditions at [www.pcsupport.toshiba.com](http://www.pcsupport.toshiba.com).

Part Number	Description
SWC-PSQP1V	1 <sup>st</sup> Year
SWC-PEQP2V	1 <sup>st</sup> /2 <sup>nd</sup> Year + Limited Warranty Extension
SWP-PEQP3V	1 <sup>st</sup> /2 <sup>nd</sup> /3 <sup>rd</sup> Year + Limited Warranty Extension

### Business On-Site Repair

Toshiba will make reasonable efforts to provide on-site service at customer's business location by the next business day (excluding weekends and holidays) to perform the necessary hardware repairs. Limited Warranty Extension included except with 1 Year plan. See Toshiba Service Plan Agreement for program terms and conditions at [www.pcsupport.toshiba.com](http://www.pcsupport.toshiba.com).

Part Number	Description
SWC-PSQN1V	1 <sup>st</sup> Year
SWC-PEQN2V	1 <sup>st</sup> /2 <sup>nd</sup> Year + Limited Warranty Extension
SWP-PEQN3V	1 <sup>st</sup> /2 <sup>nd</sup> /3 <sup>rd</sup> Year + Limited Warranty Extension

## Accessories

### Memory

Part Number	Description
KTT3311A/256	Kingston DDR 333, 256MB
KTT3311A/512	Kingston DDR 333, 512MB
KTT3311A/1G	Kingston DDR 333, 1GB

### Power

Part Number	Description
PA3283U-2ACA	Toshiba 75W Global AC Adapter
PA3399U-1BRS	Toshiba Primary Li Ion Battery Pack (6 Cell)
PA3400U-1BRS	Toshiba Primary High Capacity Li Ion Battery Pack (12 Cell)

### Cases-Security

Part Number	Description
PA1370U-1ETC	Toshiba Keyboard Protector (Tecra/Satellite/Qosmio)
NWDEFCL	Targus-Noteworthy DEFCON CL Cable Lock

### Expansion

Part Number	Description
PA3314U-1PRP	Toshiba Advanced Port Replicator III w/75W AC Adapter

### Wireless / Bluetooth

Part Number	Description
PA3455U-1BTM	Toshiba USB Bluetooth 2.0 + EDR Capable Adapter

### Storage

Part Number	Description
PA3109U-1FDD	Toshiba USB Floppy Disk Drive Kit

# TOSHIBA

## Return Policy

Notwithstanding anything to the contrary in any third party License Agreement or product documentation supplied with your PC, Toshiba America Information Systems, Inc. ("TAIS") does not accept the return of component parts, or bundled software, that have been removed from the PC system. Pro-rata refunds on individual PC components or bundled software, including the operating system, will not be granted. If you wish to return a complete PC system, contact the TAIS dealer where you purchased the product, and comply with the dealer's standard return policies and procedures.

Toshiba America Information Systems, Incorporated ("TAIS")  
9740 Irvine Boulevard  
Irvine CA 92618  
ToshibaDirect website: <http://www.toshibadirect.com>  
TAIS website for resellers: <http://sell.toshiba.com>  
TAIS PC Support website: <http://pcsupport.toshiba.com>

Portégé, Satellite, Tecra, Slim SelectBay and SystemGuard are registered trademarks and ConfigFree is a trademark of Toshiba America Information Systems, Inc. and/or Toshiba Corporation. Intel, Celeron, Centrino, Intel Inside, Pentium, the Intel Centrino logo, and the Intel Inside logo are trademarks or registered trademarks of Intel Corporation or its subsidiaries in the United States and other countries. Microsoft and Windows are registered trademarks and OneNote is a trademark of Microsoft Corporation in the United States and/or other countries. Winstone® is a registered trademark and BatteryMark™ is a trademark of Ziff Davis Publishing Holdings Inc. in the U.S. and other countries. MobileMark™ is a trademark of the Business Applications Performance Corporation. Wi-Fi is a registered certification mark of the Wi-Fi Alliance. The Bluetooth word mark and logos are owned by the Bluetooth SIG, Inc. and any use of such marks by Toshiba is under license. NVIDIA and GeForce are registered trademarks or trademarks of NVIDIA Corporation in the United States and/or other countries. All other trademarks are the property of their respective owners.

<sup>1</sup> **Product Series Legal Footnote.** The product specifications and configuration information are designed for a product Series. Your particular model may not have all the features and specifications listed or illustrated.

**Product Offering Legal Footnote.** Toshiba America Information Systems, Inc. reserves the right to modify or withdraw this offer at anytime without notice.

<sup>2</sup> **Build-to-Order/Configure-to-Order.** Certain notebook chassis are designed to accommodate all possible configurations for an entire product series. Your select model may not have all the features and specifications corresponding to all of the icons or switches shown on the notebook chassis, unless you have selected all those features. Configuring (customization) of your notebook takes an additional 12 to 15 working days.

<sup>3</sup> **Operating System.** Certain Microsoft® software product(s) included with this computer may use technological measures for copy protection. IN SUCH EVENT, YOU WILL NOT BE ABLE TO USE THE PRODUCT IF YOU DO NOT FULLY COMPLY WITH THE PRODUCT ACTIVATION PROCEDURES. Product activation procedures and Microsoft's privacy policy will be detailed during initial launch of the product, or upon certain reinstallations of the software product(s) or reconfigurations of the computer, and may be completed by Internet or telephone (toll charges may apply). Some software may differ from its retail version (if available), and may not include user manuals or all program functionality.

<sup>4</sup> **Processor (Central Processing Unit).**  
CPU performance in your computer product may vary from specifications under the following conditions:

1. use of certain external peripheral products
2. use of battery power instead of AC power
3. use of certain multimedia, computer generated graphics or video applications
4. use of standard telephone lines or low speed network connections
5. use of complex modeling software, such as high end computer aided design applications
6. use of several applications or functionalities simultaneously
7. use of computer in areas with low air pressure (high altitude >1,000 meters or >3,280 feet above sea level)
8. use of computer at temperatures outside the range of 5°C to 30°C (41°F to 86°F) or >25°C (77°F) at high altitude (all temperature references are approximate and may vary depending on the specific computer model – please visit the Toshiba website at [www.pcsupport.toshiba.com](http://www.pcsupport.toshiba.com) for details).

CPU performance may also vary from specifications due to design configuration.

Under some conditions, your computer product may automatically shut-down. This is a normal protective feature designed to reduce the risk of lost data or damage to the product when used outside recommended conditions. To avoid risk of lost data, always make back-up copies of data by periodically storing it on an external storage medium. Use your computer product only under recommended conditions. Read additional restrictions under "Environmental Conditions" in your product "Detailed Specs." Contact Toshiba Technical Service and Support for more information

<sup>5</sup> **Memory (Main System).** Part of the main system memory may be used by the graphics system for graphics performance and therefore reduce the amount of main system memory available for other computing activities. The amount of main system memory allocated to support graphics may vary depending on the graphics system, applications utilized, system memory size and other factors.

<sup>6</sup> **Hard Disk Drive (HDD) Capacity.** 1 Gigabyte (GB) means  $1000 \times 1000 \times 1000 = 1,000,000,000$  bytes using powers of 10. The computer operating system, however, reports storage capacity using powers of 2 for the definition of  $1 \text{ GB} = 1024 \times 1024 \times 1024 = 1,073,741,824$  bytes, and therefore may show less storage capacity. Available storage capacity will also be less if the product includes one or more pre-installed operating systems, such as Microsoft Operating System and/or pre-installed software applications, or media content. Actual formatted capacity may vary.

<sup>7</sup> **Display.** Small bright dots may appear on your screen display when you turn on your PC. Your display contains an extremely large number of thin-film transistors (TFT) and is manufactured using high-precision technology. Any small bright dots that may appear on your display are an intrinsic characteristic of the TFT manufacturing technology. Over a period of time, and depending on the usage of the computer, the brightness of the screen will deteriorate. This is also an intrinsic characteristic of the screen technology. When the computer is operated on battery power, the screen will dim and you may not be able to increase the brightness of the screen while on battery power.

<sup>8</sup> **Graphics (Graphics Processing Unit).** GPU performance may vary depending on product model, design configuration, applications, power management

settings and features utilized. GPU performance is only optimized when operating in AC power mode and may decrease considerably when operating in battery power mode.

<sup>9</sup> **Modem Speed.** Due to FCC limitations, speeds of 53 kbps are the maximum permissible transmission rates during download. Actual data transmission speeds will vary depending on line conditions.

<sup>10</sup> **Weight.** Weight may vary depending on product configuration, vendor components, manufacturing variability and options selected.

<sup>11</sup> **Battery Life.** Battery life may vary considerably from specifications depending on product model, configuration, applications, power management settings and features utilized, as well as the natural performance variations produced by the design of individual components. Published battery life numbers are achieved on select models and configurations tested by Toshiba at the time of publication. See "Detailed Specs" for specific battery measurement test. Recharge time varies depending on usage. Battery may not charge while computer is consuming full power. After a period of time, the battery will lose its ability to perform at maximum capacity and will need to be replaced. This is normal for all batteries. To purchase a new battery pack, see the accessories information that shipped with your computer or visit the Toshiba web site at [www.accessories.toshiba.com](http://www.accessories.toshiba.com).

<sup>12</sup> **Battery Life - MobileMark™.** Measured by MobileMark. MobileMark is a trademark of the Business Applications Performance Corporation.

<sup>13</sup> **Software.** Some software may differ from its retail version (if available), and may not include user manuals or all program functionality.

Certain Microsoft® software product(s) included with this computer may use technological measures for copy protection. IN SUCH EVENT, YOU WILL NOT BE ABLE TO USE THE PRODUCT IF YOU DO NOT FULLY COMPLY WITH THE PRODUCT ACTIVATION PROCEDURES. Product activation procedures and Microsoft's privacy policy will be detailed during initial launch of the product, or upon certain reinstallations of the software product(s) or reconfigurations of the computer, and may be completed by Internet or telephone (toll charges may apply).

<sup>14</sup> **AOL® Internet Service.** Availability may be limited, especially during peak times. TO AVOID BEING CHARGED A MONTHLY MEMBERSHIP FEE, SIMPLY CANCEL BEFORE THE THREE-MONTH PROMOTIONAL PERIOD ENDS. Premium services carry surcharges and communication surcharges may apply, including AK, even during promotional period. Members may incur telephone charges on their phone bill, depending on their location and calling plan, even during promotional period. Available to new AOL members in the United States, age 18 or older; a major credit card or checking account is required.

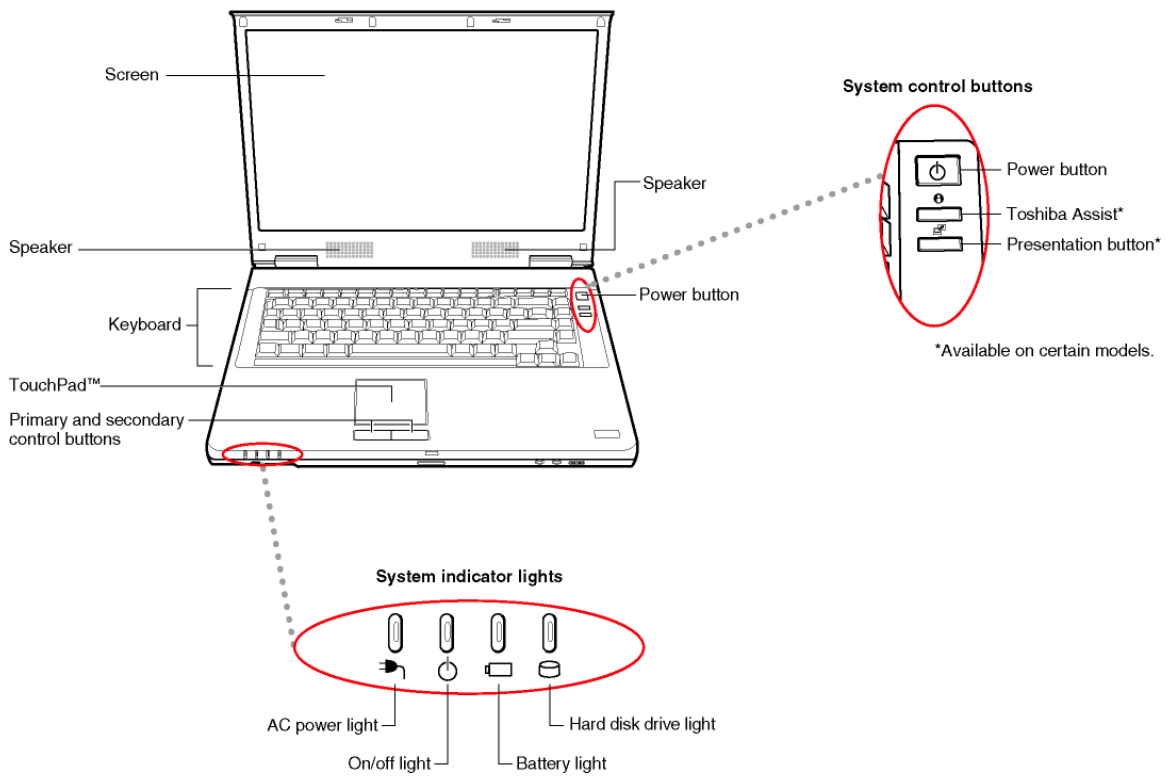
<sup>15</sup> **AT&T® Worldnet® Service.** Telephone access and other charges and other terms and conditions may apply. Offer available to new customers only.

<sup>16</sup> **Temperature (Environmental) Conditions.** All temperature references are approximate and the performance of your computer may vary from specifications even when operating within the recommended temperature range.

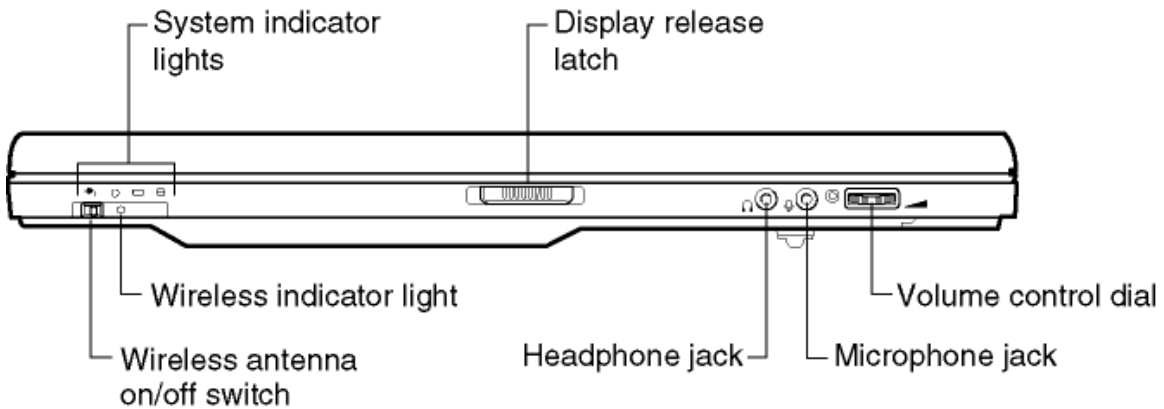
<sup>17</sup> **Warranty.** Toshiba's standard limited warranty, extended warranty and service upgrade terms and conditions are available at <http://www.warranty.toshiba.com>.

<sup>18</sup> **SystemGuard.** SystemGuard coverage must be purchased within the first 30 days of purchase. See Toshiba Service Plan Agreement for program terms and conditions at [www.pcsupport.toshiba.com](http://www.pcsupport.toshiba.com).

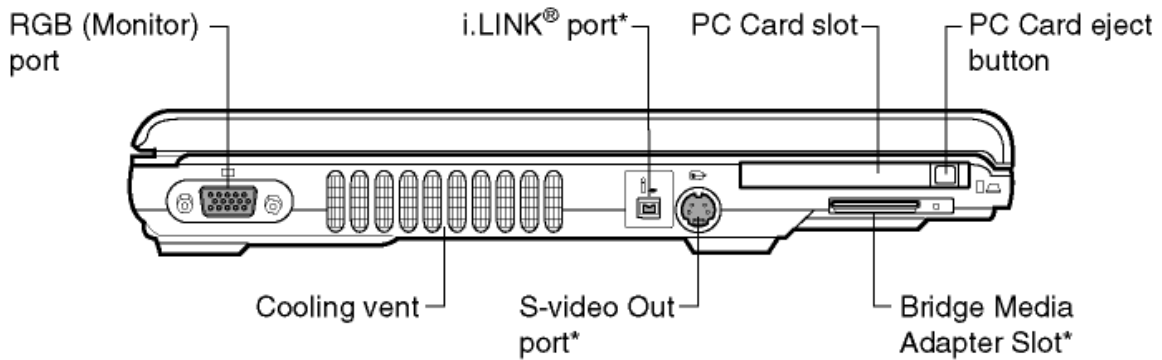
## Front with display open



## Front with display closed

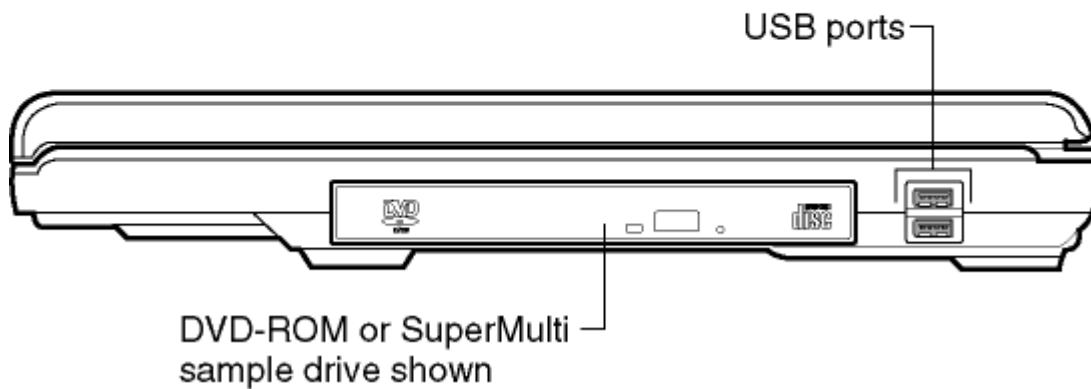


# Left side

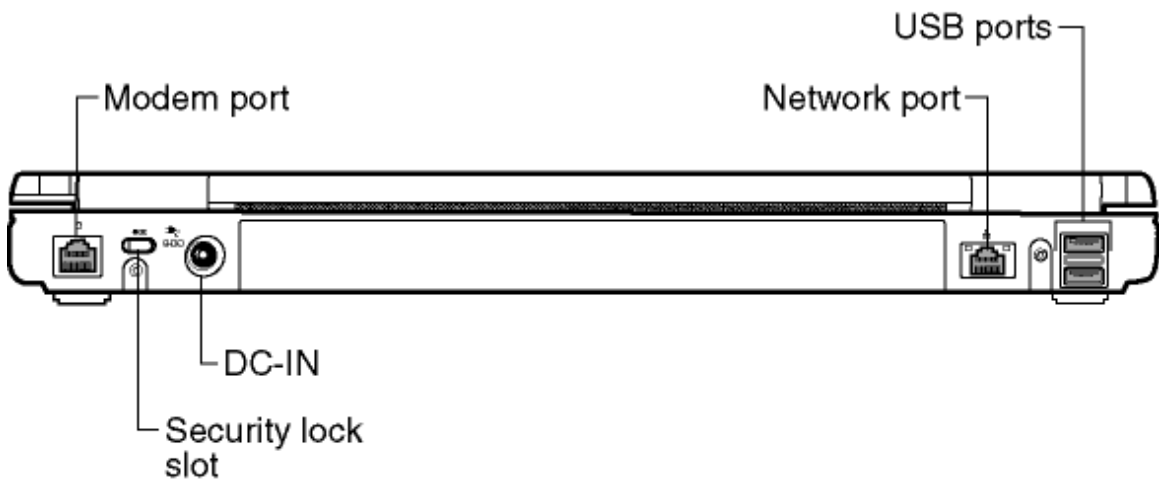


\*Available on certain models.

# Right side



# Back



# Underside

